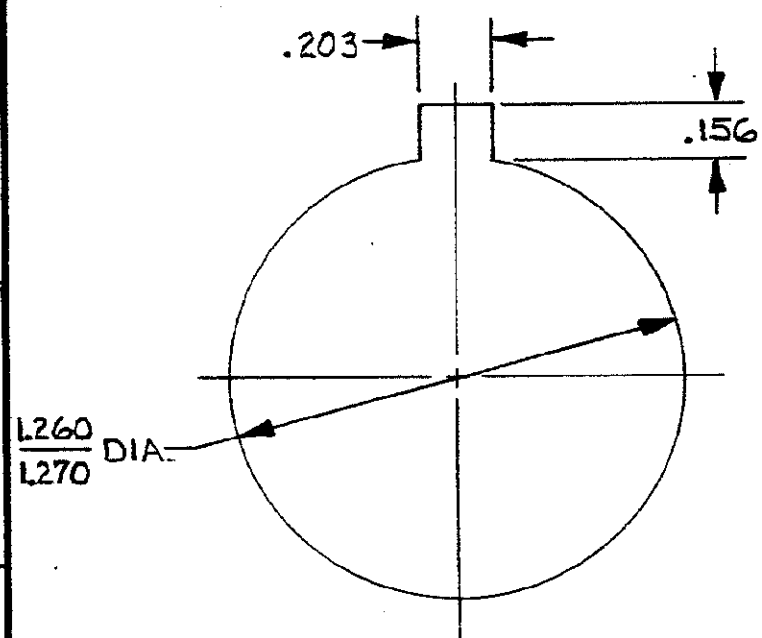
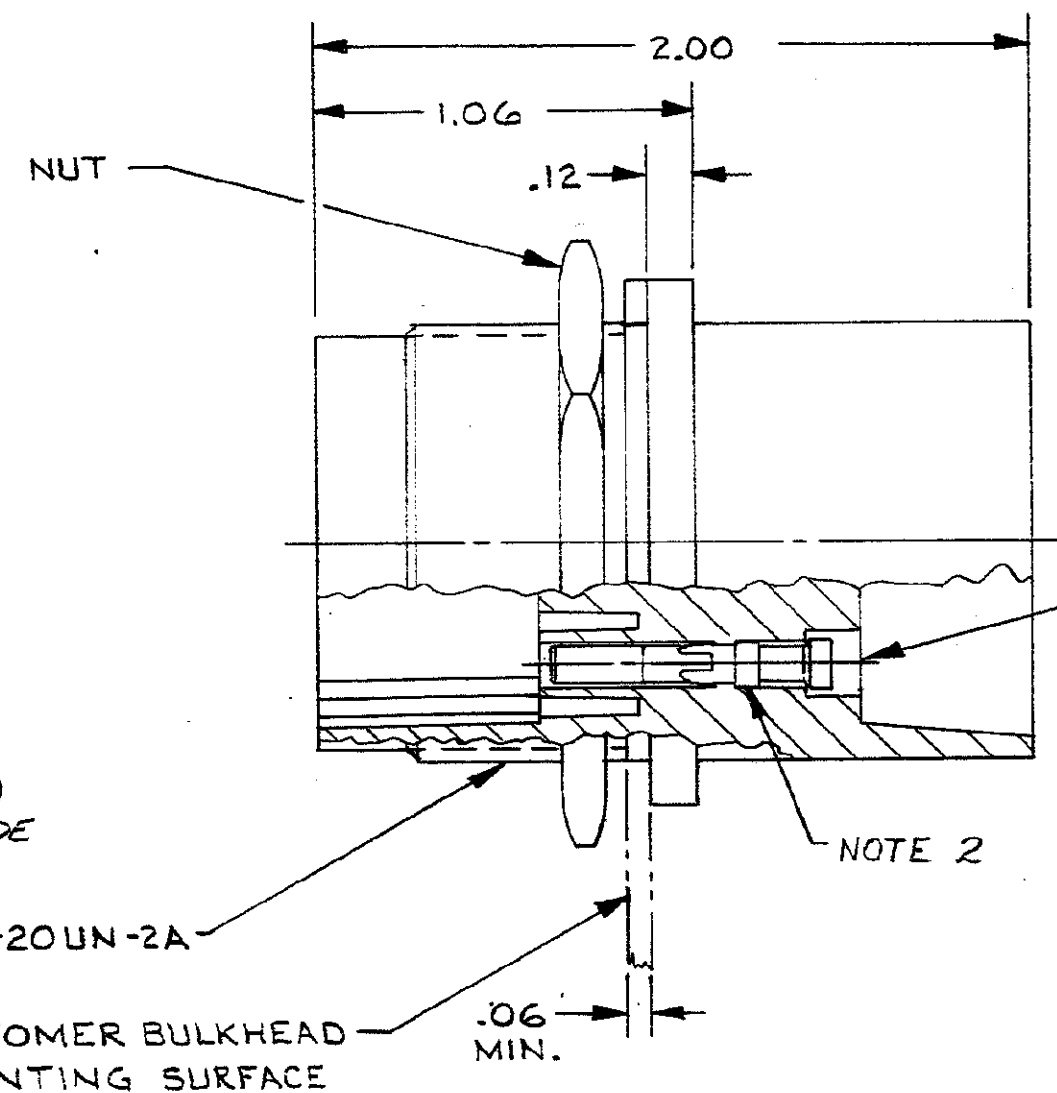
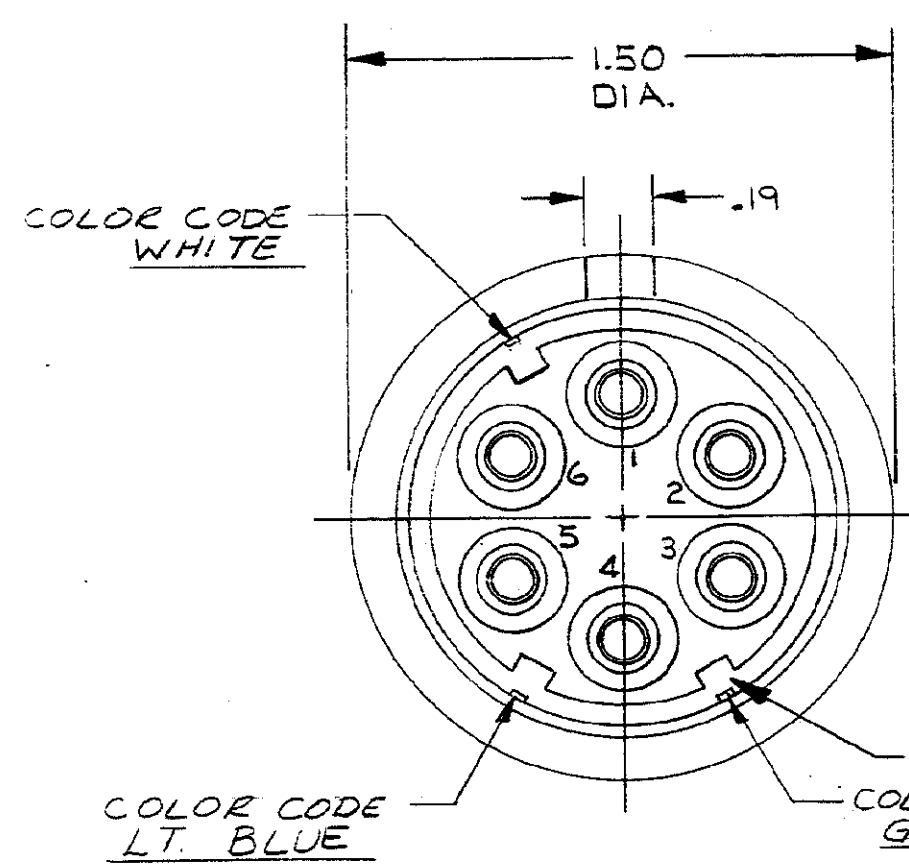


DRAWING MADE IN AMERICAN PROJECTION

©1971 BY AMP INCORPORATED. ALL RIGHTS RESERVED. AMP PRODUCTS COVERED BY PATENTS AND/OR PATENTS PENDING.

REVISIONS				
ZONE	LTR	DESCRIPTION	DATE	APPROVED
E		REDRAWN WITH REVISIONS	ISEC 7-24-71	M.B.
F		REV. NOTE 2 & POTTING MATERIAL	8-24-71	M.B.
G		REV. NOTE 1 & POTTING MATERIAL	BAW 12-17-71	M.B.
H		ADDED COLOR CODES & DELETED PORTION OF T.D'S.	DS 4-27-72	M.B.
J		REV. NOTES 1 & 2 ADDED NOTE 5 ADDED -2	D.W. 1-8-74	M.B.
K		ADDED -3	DS 2-27-76	M.B.
L		ADDED -4, -5, -6	DS 6-30-77	M.B.
M		REV. PER E.C.N. 8611	AG 1-31-79	M.B.
M		ADDED -7 ECN 9738	RN 10/28/93	(Signature)
N		OBSOLETE -7	ECN S3615 11-5-88	R.B.
P		OBS-3 ECN OF 0376	2.8.89	T.W.



CUSTOMER TO ATTACH LEADS & PROTECT AGAINST ARC-OVER & BREAKDOWN BY POTTING. SOCKETS TO BE COATED WITH RTV 108 AND INSERTED IN CAVITIES, AFTER CURING FILL BACK END OF RECEPTACLE WITH HYSOL 4210 (REF. AMP * 1-859234-7)

- NOTES:
1. CAVITY TO ACCEPT AMP SOCKETS, TYPE II, #16 GA. RECEPTACLE AND SOCKETS TO BE SHIPPED SEPARATELY. TO REMOVE SOCKETS USE AMP EXTRACTION TOOL #861751-1
 2. TYPE II SOCKETS TO ACCEPT ONE (1) #22 #20, OR #24 AWG STRANDED WIRE. GOLD PLATED PER MIL-G-45204 TYPE II .00050 MIN. THICKNESS.
 3. RECEPTACLE WILL WITHSTAND WITHOUT BREAKDOWN, 27KVDC PIN TO PIN & 27KVDC PIN TO GRD. WHEN MATED WITH 859536-1, 859534-1, & 860267-1
 4. MARKING TO BE WHITE
 5. TYPE II SOCKETS TO EXCEPT ONLY ONE (1) 16 AWG OR (1) 18 AWG STRANDED WIRE
 6. TYPE II SOCKETS TO ACCEPT ONE (1) 14 AWG STRANDED WIRE.

* UNMARKED

AMP P/N	WIRE SIZE RANGE	HAND TOOL	COLOR CODING
859527-1	20, 22, 24	45099	YES
859527-2	16, 18	45098	YES
085 859527-3	14	45098	YES
859527-4	20, 22, 24	45099	NO
859527-5	16, 18	45098	NO
859527-6	14	45098	NO
OBSOLETE 859527-7 *	16, 18	45098	NO

QTY REQ	QTY REQ	ITEM NO.	DWG SIZE	PART OR IDENTIFYING NO.	NOMENCLATURE OR DESCRIPTION	SYMBOL
-2	-1					

CONTRACT NO. DR M. GARDNER 2/11/72

CHK M. GARDNER 2/11/71

APPD M. GARDNER 2/11/71

DSGN APPD

OTHER APPD

AMP INCORPORATED
CAPITRON DIVISION
ELIZABETHTOWN, PENNSYLVANIA

NAME RECEPTACLE, FLANGED, H.V. 6 CONTACT LGH

SIZE C CODE IDENT NO. 00779 NUMBER 859527

SCALE 1/1 WT SHEET 1/1